

BE KIND

15 D2 – Silver

Iowa West Field House- Council Bluffs

1/19/2025

Warm-ups will be 2 minutes of shared court time, followed by 4 min of hitting for the serving team and 4 min of hitting for the receiving team.

Warm-ups can be shortened to 1-3-3 after each team's first match.

Serving is to be completed during each team's court time. THERE IS NO SHARED SERVING

Pool play will be 2 sets to 25 points, starting at 7.

Pool A

1. Starlings 15
2. Legacy 15 Charlie
3. Blue Diamond
4. Storm 151

Pool B

1. SWI3D 15 White
2. Banzai 15 Performance
3. JSSA 15U

Time (Approx.)	Court #9	Ref	Court #10	Ref
8:00 AM	A1 vs A3	A2	B1 vs B3	B2
8:45 AM	A2 vs A4	A1	B2 vs B3	B1
	A1 vs A4	A3	B1 vs B2	B3
	A2 vs A3	A4	XXXXX	XX
	CH1) A1 vs B2	B1/A2 split	CO1) A3 vs A4	B3
	CH2) B1 vs A2	Isr CH1	CO2) B3 vs A4	A3
	CH3) Isr CH1 vs Isr CH2	wnr CH2	CO3) A3 vs B3	A4
	CH4) wnr CH1 vs wnr CH2	Isr CH3	XXXXX	XX

CH = Championship Bracket; CO = Consolation Pool

The top 2 teams from each pool will advance to a Championship bracket.

The remaining teams will advance to a Consolation round robin pool.

THERE WILL BE NO PLAY-OFF GAMES.

TEAMS WILL BE ASSIGNED TO TOURNAMENTS BY THE FOLLOWING METHOD:

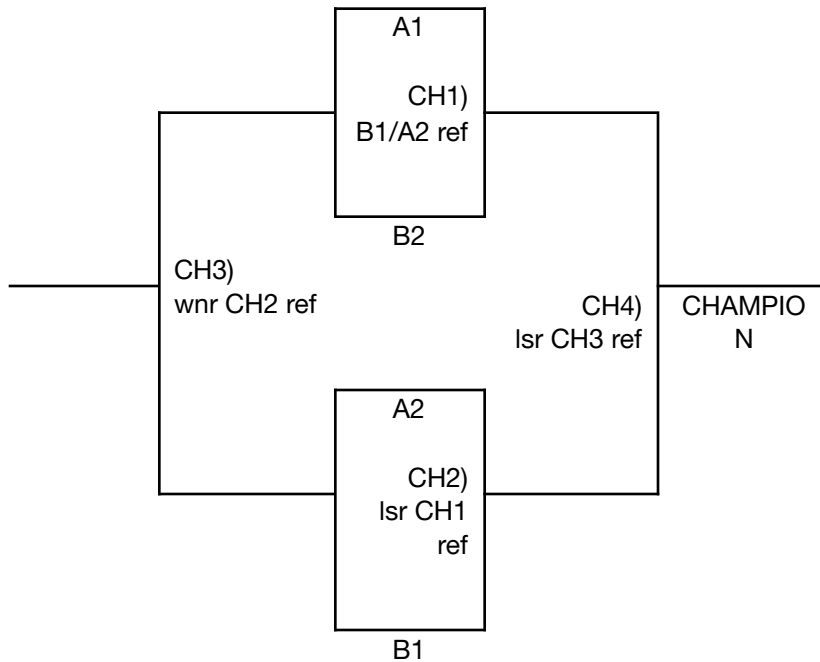
1. BEST SET (games) RECORD
2. HEAD TO HEAD COMPETITION (to include point differential)
3. TOTAL POINT DIFFERENTIAL
4. A COIN TOSS, IF NECESSARY

INDIVIDUAL PRIZES WILL BE AWARDED TO THE FIRST PLACE TEAM IN THE CHAMPIONSHIP BRACKET.

BE KIND
15 D2 – Silver
 Iowa West Field House- Council Bluffs
 1/19/2025

All tournament matches will be best 2 out of 3 sets to 25 points, starting at 7. Third set 0-15, if necessary.

CHAMPIONSHIP



CONSOLATION

