



# River City Jrs Shamrock Classic Mar 18, 2023



## 13-14 Division

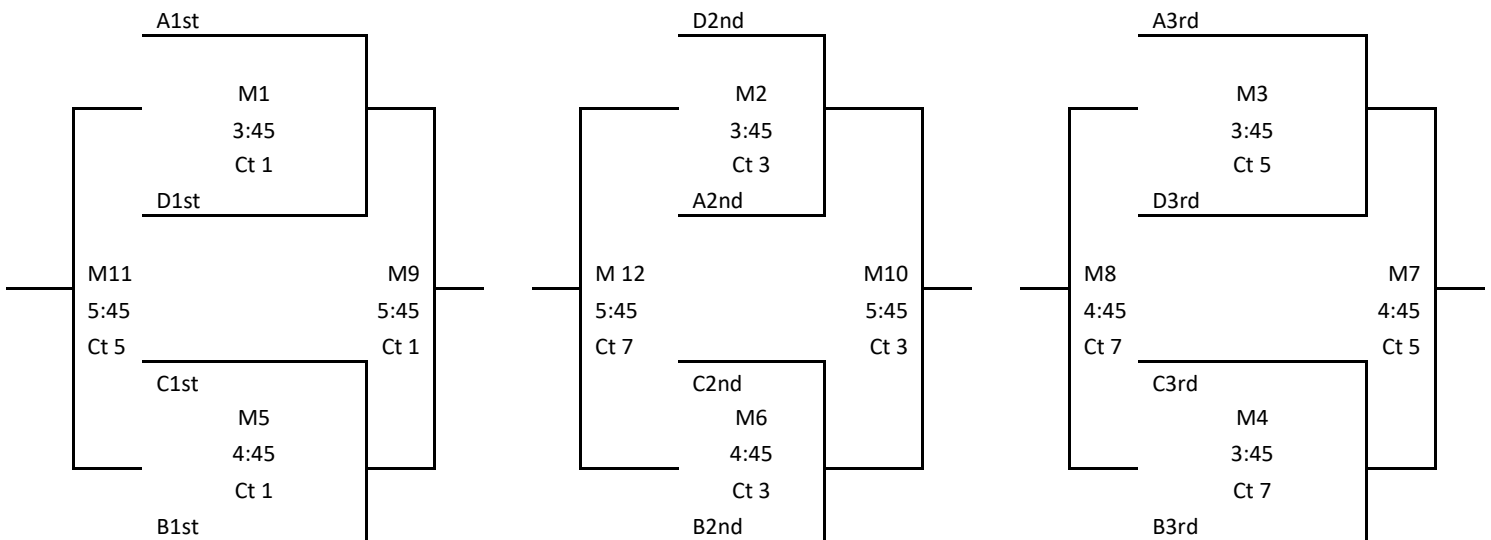
**Start time 1:30pm**

	<u>Pool A Ct 1</u>		<u>Pool B Ct 3</u>		<u>Pool C Ct 5</u>		<u>Pool D Ct 7</u>	<u>Teams</u>			<u>Ref</u>	<u>Time</u>
A1	VISION Elite 14-1	B1	RCJRS14 White	C1	RCJRS14 Silver	D1	GI Vikes 13 Black	1	-	3	2	1:30
A2	RCJRS 13 White	B2	VISION Elite 13-1	C2	SE Elite 13-1	D2	RCJRS13 Red	2	-	3	1	2:15
A3	SWI3D 13-2	B3	RCJRS13 Boys	C3	RCJRS12 Navy	D3	SWI3D 12-1	1	-	2	3	3:00

### Gold Championship Bracket

### Silver Championship Bracket

### Bronze Championship Bracket



	3:45		Ref		4:45		Ref		5:45		Ref
<b>Ct 1</b>	M1	GldA1-GldD1	GldB		M5	GldB1-GldB1	Wr M1		M9	Wr M1 - Wr M5	Wr M7
<b>Ct 3</b>	M2	SilA2-SilD2	SilB		M6	SilB2-SilB3	Wr M2		M10	Wr M2 - Wr M6	Wr M8
<b>Ct 5</b>	M3	BrzA3-BrzD3	GldC		M7	Wr M3 - Wr M4	Lsr M2		M11	Lsr M1 - Lsr M5	Lsr M7
<b>Ct 7</b>	M4	BrzC3-BrzB3	SilC		M8	Lsr M4 - Lsr M3	Lsr M1		M12	Lsr M2 - Lsr M6	Lsr M8

## Tournament guidelines

### Admission

There is a \$7.00 admission for individuals over 18 not participating. \$4.00 for students K-12. Credit Card, Cash or checks are accepted. We have live-streaming cameras if you are unable to attend. The link to sign up for this service is:

<https://rivercityjuniorsvolleyball.com/home/cameras/>. We have two service options: 1 week for \$15.00 or 1 year for \$45.00.

### Directions to TVA

**Address:** 11934 Portal Road, Omaha, NE 68128

- From Interstate I-80

- take exit 442, also referred to as the Giles/Harrison Exit (Exit for Cabela's)

- turn (south) to head toward Giles, you will pass through two lights
- turn right (south) at the 3<sup>rd</sup> light (120<sup>th</sup> & Giles intersection). Our facility is on your left after the bridge
- turn left (east) on Portal Road.

### TVA Parking

DO NOT PARK ON PORTAL ROAD. It is marked and is a tow away zone by the City of LaVista. Please avoid parking in any other business lot unless you see a sign specifically marked TVA over-flow lot. Thank you ahead of time for your cooperation. **Do not park on any island, we will have your car towed at the owner's expense.**

### TVA Facility Rules

- **Masks are not required in our facility.**
- Players will place their bags/backpacks upstairs on the racks, change shoes, do not bring player bags to the gym floor.
- **We will provide volleyballs.**
- Players on the bench **MAY NOT STAND IN FRONT OF THEIR BENCH**, it is illegal in club volleyball. If you are to stand it must be at the end of the bench in line with it, not in front of it. If you are in front of your bench area you must be seated.
- For the current USAV season **TEAMS WILL NOT SWITCH BENCHES** during the match.
- Players will do the pre-game and post-game handshake at the net.
- Spectators, you may bring in your own chairs, **these are ONLY ALLOWED in the upstairs mezzanine area. Absolutely no personal chairs on the main floor, not even on the cement area.**
- We will have seating on the floor area. **CHAIRS MAY NOT BE MOVED**
- Concessions will be available.
- Spectators are not allowed to sit or stand anywhere along the wall behind a baseline, including a distance of 8ft extended from the sidelines. This is a playable area and the players must be allowed ample space to play without possible interference or risk of injury.
- **We are a SMOKE -FREE campus.** No smoking anywhere on the grounds or in the parking lot.
- **Coaches/Tournament Directors, it is your responsibility** for your players, spectators and parents to know the rules of the facility. We wish to avoid any conflict arising when our staff must have to enforce these rules. Thank you.

## Tournament Rules

### Warm-up:

Warm-up will be 2-4-4 (2 min shared ball handling, 4 min for serving team, 4 min for receiving team). The 4 min includes your serving time. Time will go to 1-3-3- after you played your first match. Officiating/work team must call for team captains immediately and start warm-up upon completion of previous match. **Matches will move ahead of schedule if they end early, so be prepared to play earlier if the previous match is completed.**

### Match Play

All teams will receive a minimum of four matches. **Pool Play** matches will be 2 sets to 25 starting at 7, NO third set necessary. Bracket play will be best 2 out of 3 sets to 25 **starting at 4**, 3<sup>rd</sup> set to 15 if necessary starting at zero.

### Champions:

There will be medals awarded for 1<sup>st</sup> place in each division.

## Concessions Available

We have a variety of concession available for you. Most items range between \$1-\$3.



**We will have jumbo hotdogs, pulled BBQ Chicken Sandwiches and popcorn on sale during the tournament!!!**

